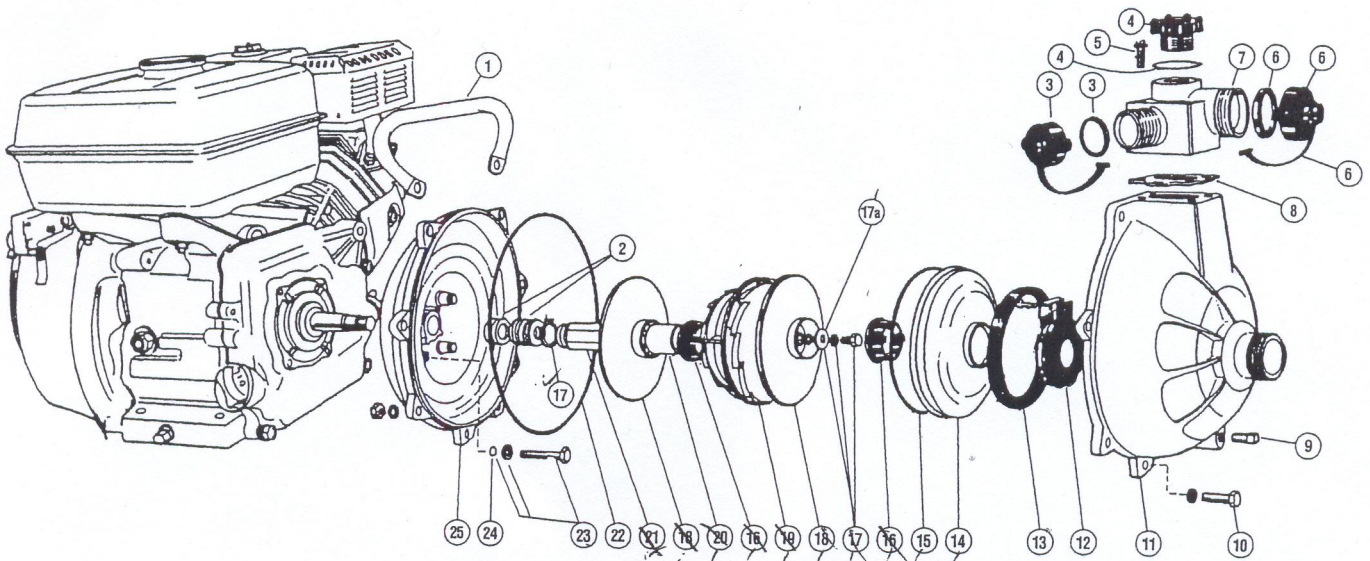


93 SERIES
2 STAGE



ITEM	NOTES	DESCRIPTION	QTY	PART NO.
1		Handle - red 2 stage	1	11388SPR
2	A	Seal - mechanical 3/4"	1	48803
3		Cap assy - blank 1" BSP	2	31517
4		Plug & oring -priming	1	11591-1~
5		Screw (pack of 4)	4	9615*4~
6		Cap assy - blank 1.5" BSP	1	31518~
7		Discharge - 3 way red	1	9475SPR
8		Gasket - outlet	1	10494~
9		Plug .25" BSP (pack of 5)	1	40436*5~
10		Kit - bolt nut & washer	8	31328~
11		Casing - red BSPT	1	11503SPR~
12		Checkvalve assy STD	1	31326~
12		Checkvalve assy - VITON	1	31409SP
13		Ring - sealing STD	1	11495
13		Ring - sealing VITON	1	11773SP~
14		Coverplate - diffuser sprime	1	11481
15		Oring - coverplate STD	1	49016
15		Oring - coverplate VITON	1	47970SP~
16		Insert - neckring	2	11570
17		Kit - shaft twin impeller VITON	1	31478~
17a		Packing shaft - VITON	1	11615-1SP~
18		Impeller	2	12306~
19		Diffuser - 2 stage	1	11480
20		Spacer - 2 stage Self Primer	1	11487
21	B	Shaft extension - 3/4" shaft	1	12534-1~
22		Oring STD	1	45222
22		Oring - casing VITON	1	47969SP~
23		Kit - bolt Yanmar diesel (pk4)	1	31479*4~
24		Oring - pack of 5 STD	4	43064*5~
24		Oring - yoke bolt (pk4) VITON	4	47971*4
25		Yoke - yellow 3/4" seal (diesel)	1	11421-2SP